

FANCY FRAME



HIDDEN DESIGN FOR MORE DECORATIVE AND PROFESSIONAL PRESENTATION OF YOUR ADS

Fancy Frame, with a snap open design, is a simple to use framing system that makes changing graphics easy. The Fancy Frames are in different sizes and fits in decorative use of picture frames serving the needs of advertisers and decorators.

These clip frames differ from conventional snap frame designs due to the decorative form. This decorative design catches viewer's attention on the displayed advertisements. Having a more stylish design than traditional models, these picture frames will capture the eyes within any commercial environment.

Fancy Frame has mounting holes that are located underneath the molding. This hidden design makes this decorative frame look more professional, and enables it to mesh with any environment. This snap poster frames is hence perfect for those looking for long-term displaying, with the ability for easy and quick update of the art. Poster update only takes less than a minute of a person. Just snap open all sides and place the poster with the protective non glare cover over it, then close the frame. Protective non glare cover protects your poster from getting dirt and dust as well as prevents glaring.

KEY SELECTION ATTRIBUTES

- Ideal for various poster sizes.
- Natural silver-anodized and various RAL colors available with antimicrobial powder coating.
- Optional V-Hangers for easy mounting.
- Mitred corner alternatives.
- Anti-glare poster cover sheet.



Beige



Silver



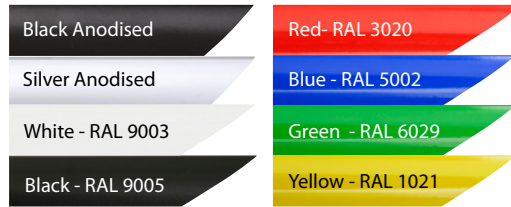
Black



COLOURS IN STOCK



COLOUR OPTIONS



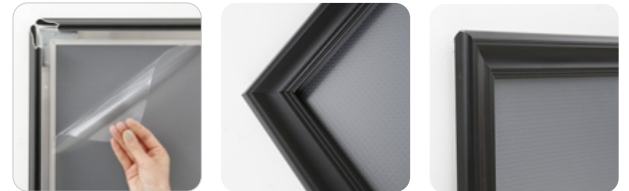
CORNER TYPES



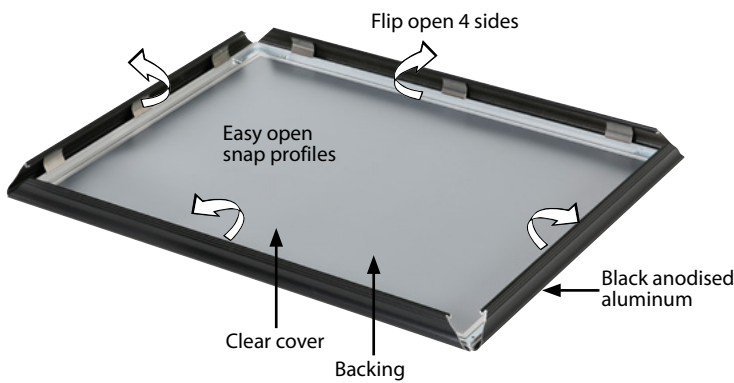
SUITABLE FOR

Fancy Frame can be used for INDOOR applications, for signage needs in many locations like shopping centers, markets, groceries, hotels, offices airports, shops and stores, hospitals, schools, apartments, retail stores, exhibition centers, libraries, museums, telecom companies, travel agencies, restaurants, hotel receptions, banks and waiting areas and many more.

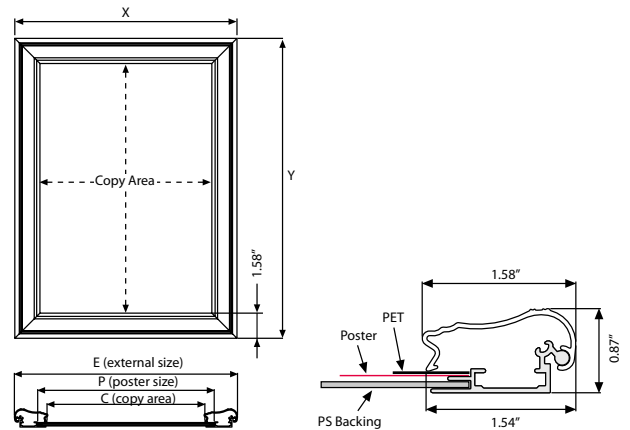
FEATURES



EXPLODED VIEW



TECHNICAL DRAWING



ARTICLES

SILVER	BLACK	BEIGE	EXTERNAL (x-y)	POSTER	COPY	WEIGHT	PACKING SIZE
						WITH PACKING	*W X H X D
VDG5160133	VDG516C133	VDG516D133	26.18" X 38.15"	22" X 28"	21.14" X 27.13"	5.291 lbs	24.41" X 30.71" X 1.22"
VDG5160135	VDG516C135	VDG516D135	24.17" X 30.16"	24" X 36"	23.15" X 35.12"	5.732 lbs	26.77" X 38.58" X 1.22"

OPTIONAL ACCESSORIES



V Hanger



PHYSICAL DATA

Material

1.58" aluminum profiles.
PET poster cover, PS backing or ABS backing.

Poster Material & Thickness

0.0039" – 0.0078" for standard product. Max poster thickness is 0.19". Any non-standard poster thicknesses should be indicated with order.

Surface Finish

Silver anodized or black colour, antimicrobial powder coating. Custom colors also available, call for custom color requests.

Recycled Content

Up to 78% recycled content used.

Warranty

All products are guaranteed for 3 years by Displays Outlet with below conditions:
[Warranty Conditions](#)

Installation Considerations

Each frame includes wall mounting accessories (4 screws & 4 plugs). Each frame is packed individually in a cardboard box. Optional hangers help easy mounting.

Design Considerations

Suitable for silk screen printing, max. letter height is 0.62".

Hazardous Substances

Displays Outlet prioritizes compliance with the REACH (Registration, Evaluation, Authorisation and Restriction of Chemicals) and RoHS (Restriction of Hazardous Substances) directives to protect both the environment and human health. We ensure that our products do not contain substances listed under REACH and adhere to strict RoHS limits for hazardous materials. Our manufacturing process ensures that lead, mercury, cadmium, and other restricted substances remain within the permitted thresholds, guaranteeing safe and sustainable products for our customers.

Cleaning and Disinfecting

Clean your displays, with damp microfiber clothes, rinsed with simply water or warm, soapy or gentle shampooed water. Avoid using vinegar, abrasive, acidic, alcohol-based or heavy cleaners or cleaners containing Ammonia. Only after cleaning the product, if needed, simply apply disinfectant or sanitizer that is in compliance with your local guidelines and regulations.

PRINT TEMPLATES

Fancy Frame 1.58" - 22"x28"

Document Size: 22.4" x 28.4" (Includes Bleeds)

Finished Size: 22"x28"

Fancy Frame 1.58" - 24"x36"

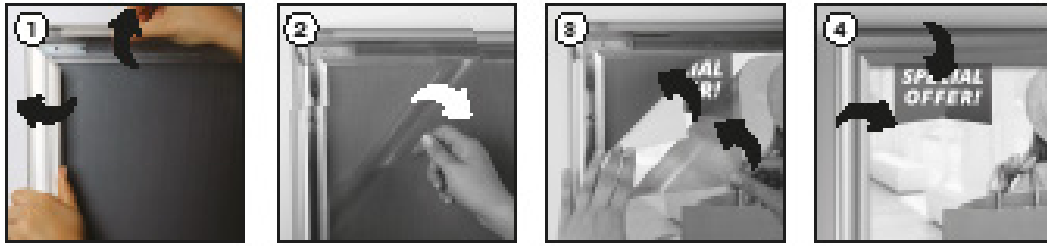
Document Size: 24.4" x 36.4" (Includes Bleeds)

Finished Size: 24"x36"



INSTALLATION INSTRUCTIONS

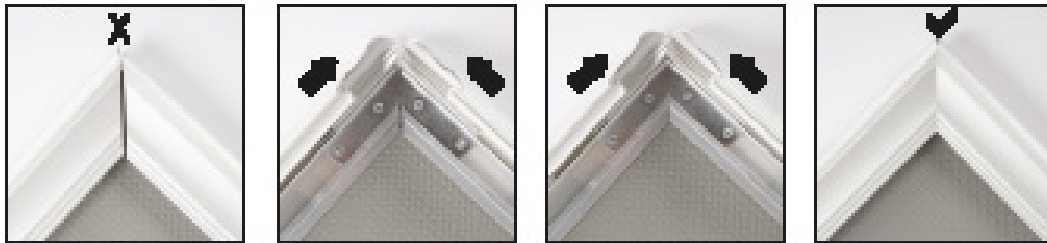
Fancy Frame / 1005988



Each frame include wall mounting accessories (4-scapes @ .4 inches)

Scapes & anchor mounting

Finishing corner



1. If your frame corners are slightly uneven, there is one easy thing. Follow these steps with care as the corners are sharp.

2. Loosen the metal brackets on the back of your frame near the gap and loosen the screws. Push the two sides of the frame together and tighten the screws.

3. Your frame corners should be perfectly aligned.

- Please follow the instructions from the product as on the carton (eg. 1/4" 10000 394-462) to replace that you have used. The product is compatible with the product above.
- All rights reserved. All pictures, signs and writings are protected internationally by copyright law. All rights reserved. All rights reserved.



This technical sheet's contents are all subject to update and modification at Displays Outlet' exclusive discretion. There is nothing official about this document. For final and legally binding information, please get in touch with the sales staff at Displays Outlet.



T: +1 855-478-0652 / info@displaysoutlet.com/ www.displaysoutlet.com